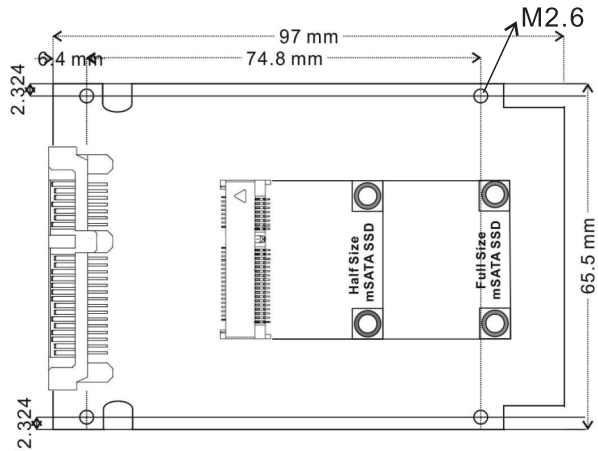


SATA III to mSATA SSD adapter



Dimensions (unit:mm)



Order Information

Part No.	AD963FA9
Description	SATA III to mSATA SSD Adapter

Support mSATA SSD Form factor

- Half size mSATA : 26.8(L) x 30(W) (mm)
- Full size mSATA : 50.95(L) x 30(W)

Specifications

- Fully compliant with SATA revision 3.2
- PCI Express Mini Card Electromechanical Spec. 1.2
- PWM Power IC / 1.4MHz 5.5V synchronous buck converter
- mSATA input voltage: 3.3V \pm 5%, input max. current: 3A
- Data transfer rate: 6Gb/s bandwidth
- Operating temperature – Commercial (0°C to +70°C)

